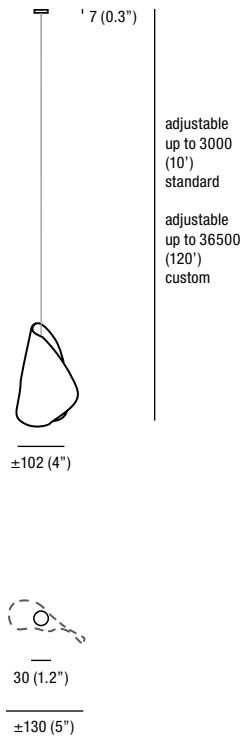


Approved to UL standards by CSA



# 21.1m

Design by Omer Arbel  
PRODUCT SPECIFICATION



approx 0.5kg (1lb)

Inspired by the sporadic, perhaps discordant arrangement of barnacles on a rock surface, the 21 is fabricated from thin sheets of porcelain wrapped around frosted borosilicate glass trumpet-shaped diffusers. Each diffuser houses a low voltage (12V, 10W halogen/xenon) lamp. A strong contrast is established between the organically distributed soft light passing through the translucent white porcelain skin and the sharp, crisp light passing through the borosilicate glass diffuser.

## APPLICATIONS

Suitable for residential and commercial use. CSA and CE approved; approved to UL standards by CSA. Popular applications to date include clusters over tables in residential dining rooms and restaurants, accessory lighting in living rooms, decorative lighting, linear configurations or clusters over bars and kitchen islands, large chandeliers in building lobbies and other public spaces.

## MATERIALS

Porcelain, blown borosilicate glass, braided metal coaxial cable, electrical components and a brushed nickel canopy.

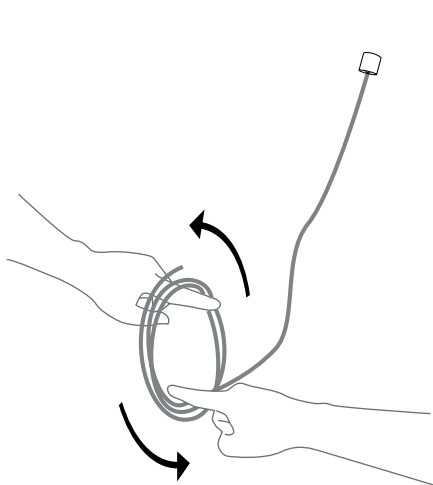
Made in Vancouver, Canada

For additional information, please contact:

**BOCCI** Vancouver  
info@bocci.ca  
www.bocci.ca

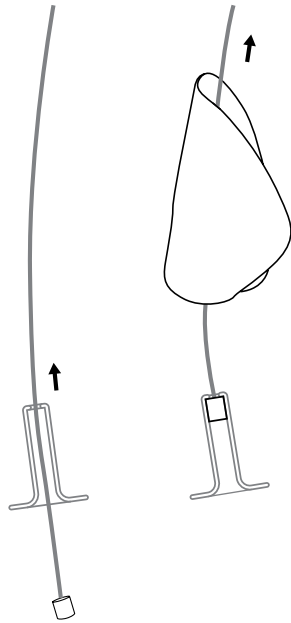
**BOCCI** Berlin  
infoeu@bocci.ca  
www.bocci.ca

**BOCCI**  
Vancouver  
Berlin



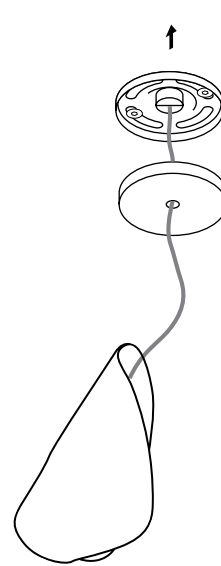
1

Very carefully uncoil the braided coaxial cable in a spool like manner. Insert your index finger into opposite sides of the roll of coaxial cable then rotate your fingers around each other to unroll the coaxial cable. Use patience: allow the cable to uncoil completely to avoid kinks



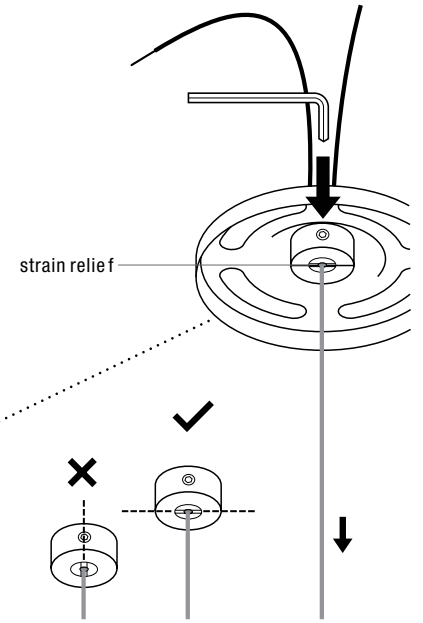
2

Put coaxial cable into the glass trumpet which then goes into the pendant.



3

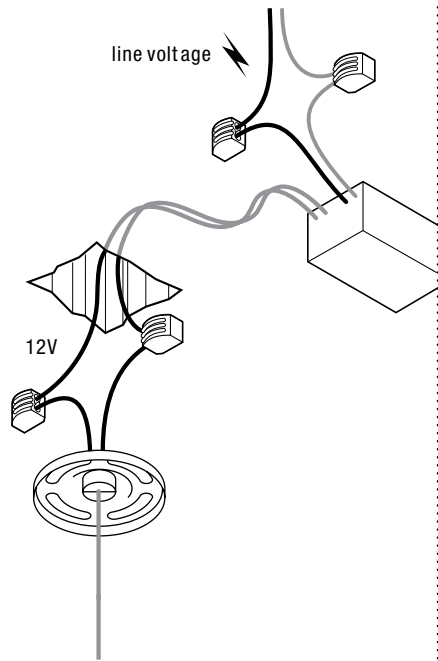
Thread the coaxial cable through canopy.



4

Determine the overall drop for the pendant fixture. Use the hex key provided to loosen the setscrew in the canopy and gently feed the cable through the canopy until you have reached your desired drop length. Use hex key to tighten the setscrew into the strain relief to secure the coaxial cable at its new length.

Note: The strain relief is a black plastic collar around the coaxial cable. There is a single slot opening on the side of the strain relief component. It is essential that this opening is oriented at 90 degrees to set screw chamber. There can be no contact between the set screw and the cable  
- RISK OF ELECTRIC SHORT!



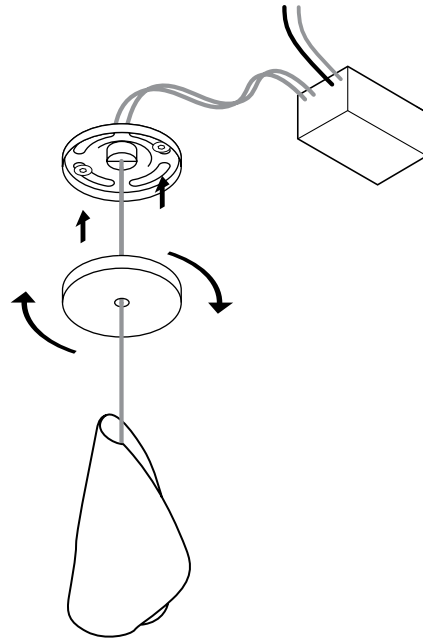
5

Connect the coaxial cable to the open slots in the terminal block on the 12V side of the transformer. Ensure that the braided outer wires are all connected to one 12V output wire and all inner insulated wires are connected to the other or a short will occur.

Once all those connections are made, lift the fixture into position and connect the line voltage to the unused matching terminals on the input wires.

Note: Standard junction boxes are not compatible with the 21.1m. Bocci recommends mounting transformers remotely in a close by, accessible and hidden location for ease of long term maintenance.

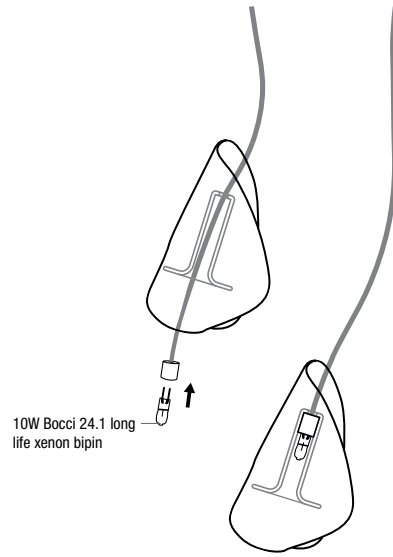
Note: Up to five 21.1m's may be connected to a single class 2 transformer.



6

Affix mini-canopy to ceiling surface with fasteners provided. Twist the threaded canopy cover plate into place.

Note: It may be helpful to rest the pendant on a surface higher than its final position so that the canopy may be fastened with greater ease.



7

Lamp fixture using Bocci 24.1 long life bipin xenon lamp, standard 10W halogen bipin lamp.

Plug the lamp into the socket. Do not touch the lamp with your bare hands.

Purchase online for replacement lamps at [www.bocci.ca](http://www.bocci.ca)

Note: When using a dimmer for xenon / halogen, use only low voltage electronic dimmer to ensure the fixture works properly.



8

Turn fixture on.

\*

For additional assistance, please contact Bocci:

**BOCCI** Vancouver  
[info@bocci.ca](mailto:info@bocci.ca)  
[www.bocci.ca](http://www.bocci.ca)

**BOCCI** Berlin  
[infoeu@bocci.ca](mailto:infoeu@bocci.ca)  
[www.bocci.ca](http://www.bocci.ca)

Made in Vancouver, Canada

Approved to UL standards by CSA

