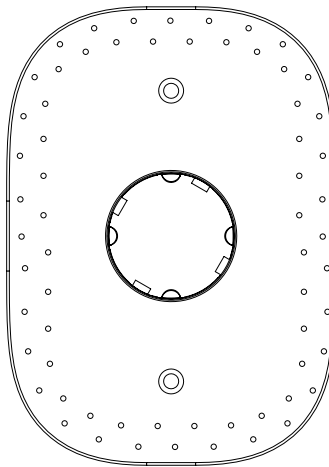


36(1.4")



83
(3.3")

131
(5")

94(3.7")



17.5
(0.7")

The 22 is a complete suite of interior wall accessories that challenge the traditional, tired and ubiquitous cover plate concept. The 22 is designed to "mud" directly into drywall without a visible cover plate or trim. Alternatively, it may be set flush into millwork, marble, glass or any other wall surface.

22 operative components include: power outlets, data/telephone receptacles, cable connectors, line voltage on/off switches, and low voltage intelligent controls. Future items will include: speaker connectors, smoke detectors, thermostats, LED light way finders and adjustable spot light.

APPLICATIONS

The 22.2 system is a departure from conventional cover plate system and requires precision and skilled craftsmanship during installation. Switches and power receptacles can now be flush with the surface of the wall and be significantly more visually subtle than ever before.

MATERIALS

Polycarbonate cover plate, stainless steel screws.

Worldwide utility patents pending.

For additional information, please contact:

BOCCI Vancouver
info@bocci.ca
www.bocci.ca

BOCCI Berlin
infoeu@bocci.ca
www.bocci.ca